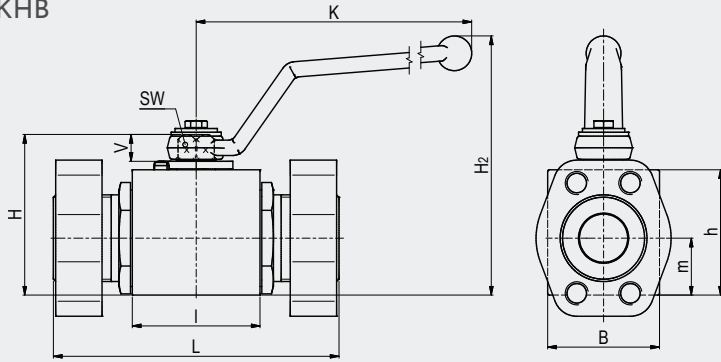


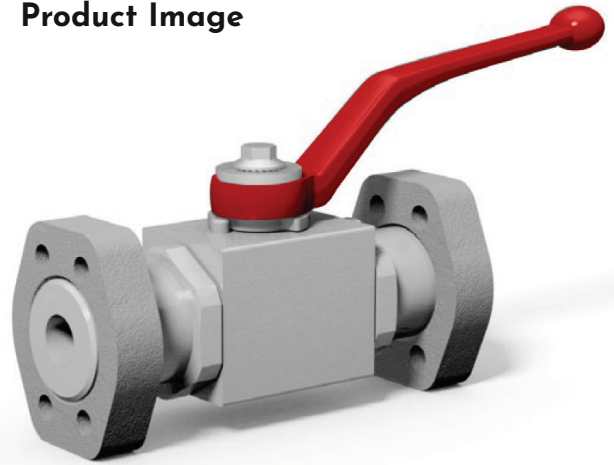
▶ BALL VALVE WITH SAE ADAPTER METRIC / UNC STEEL

**Dimensions**

KHB



**Product Image**



**CONNECTIONS**

ISO 6162-1, ISO 6162-2

**AVAILABLE SIZES** (Other sizes available on request)

DN13 - DN25 (1/2" to 1")

**MATERIAL CODE DESCRIPTION**

| Materials   | 112A            | 112B            |
|-------------|-----------------|-----------------|
| Body        | Steel           | Steel           |
| Ball        | Stainless Steel | Stainless Steel |
| Stem        | Steel           | Steel           |
| Ball Seats  | POM             | POM             |
| O-rings     | NBR             | FPM             |
| Tmin / Tmax | -20°C / 100°C   | -20°C / 100°C   |

**GENERAL DIMENSIONS**

| Type           | I  | B  | H  | h  | m    | V  | SW | K     | H <sub>2</sub> | Lever |
|----------------|----|----|----|----|------|----|----|-------|----------------|-------|
| BHPL-KHB-DN13  | 48 | 35 | 54 | 40 | 19   | 11 | 9  | 119.5 | 70             | Zn    |
| BHPL-KHB-DN20  | 62 | 49 | 75 | 57 | 24,5 | 14 | 14 | 175   | 92.5           | Zn    |
| BHPL-KHB-DN25  | 66 | 58 | 83 | 65 | 29,5 | 14 | 14 | 175   | 100            | Zn    |
| BHPL-KHBP-DN25 | 74 | 70 | 88 | 70 | 34,5 | 14 | 14 | 175   | 119            | Zn    |

**BALL VALVE WITH SAE ADAPTER METRIC / UNC STEEL**

| CONNECTION TYPE | DIMENSIONS           |    |     |                |                |    |      |      |           |             | ORDER CODE PER MATERIAL COMBINATION |       |       |  |
|-----------------|----------------------|----|-----|----------------|----------------|----|------|------|-----------|-------------|-------------------------------------|-------|-------|--|
| ISO 6162-1      | Type                 | LW | L   | B <sub>1</sub> | b <sub>1</sub> | t  | a    | b    | M         | Weight [kg] | PN [bar]                            | 112A  | 1128  |  |
|                 | BHPL-KHB-DN13-SAE210 | 13 | 120 | 48             | 56             | 13 | 17,5 | 38,1 | M8        | 1,50        | 350                                 | 32986 | 30024 |  |
|                 | BHPL-KHB-DN20-SAE210 | 20 | 136 | 50             | 65             | 14 | 22,2 | 47,6 | M10       | 3,00        | 350                                 | 30124 | 29967 |  |
|                 | BHPL-KHB-DN25-SAE210 | 25 | 148 | 60             | 70             | 16 | 26,6 | 52,4 | M10       | 4,50        | 320                                 | 23290 | 29967 |  |
|                 |                      |    |     |                |                |    |      |      |           |             |                                     |       |       |  |
|                 | BHPL-KHB-DN13-SAE210 | 13 | 120 | 48             | 56             | 13 | 17,5 | 38,1 | 5/16" UNC | 1,50        | 350                                 | 37789 | 37790 |  |
|                 | BHPL-KHB-DN20-SAE210 | 19 | 136 | 50             | 65             | 14 | 22,2 | 47,6 | 3/8" UNC  | 3,00        | 350                                 | 37791 | 37792 |  |
|                 | BHPL-KHB-DN25-SAE210 | 25 | 148 | 60             | 70             | 16 | 26,6 | 52,4 | 3/8" UNC  | 4,50        | 320                                 | 37793 | 37794 |  |

| CONNECTION TYPE       | DIMENSIONS            |     |     |                |                |      |      |           |           |             | ORDER CODE PER MATERIAL COMBINATION |       |       |  |
|-----------------------|-----------------------|-----|-----|----------------|----------------|------|------|-----------|-----------|-------------|-------------------------------------|-------|-------|--|
| ISO 6162-2            | Type                  | LW  | L   | B <sub>1</sub> | b <sub>1</sub> | t    | a    | b         | M         | Weight [kg] | PN [bar]                            | 112A  | 1128  |  |
|                       | BHPL-KHB-DN13-SAE420  | 13  | 120 | 48             | 56             | 56   | 18,2 | 40,5      | M8        | 1,50        | 420                                 | 32988 | 37584 |  |
|                       | BHPL-KHB-DN20-SAE420  | 20  | 136 | 60             | 71             | 71   | 23,8 | 50,8      | M10       | 2,75        | 420                                 | 25407 | 37584 |  |
|                       | BHPL-KHB-DN25-SAE420  | 25  | 148 | 70             | 81             | 81   | 27,8 | 57,2      | M12       | 3,80        | 350                                 | 25408 | 37586 |  |
|                       | BHPL-KHBP-DN25-SAE420 | 25  | 156 | 70             | 81             | 81   | 27,8 | 57,2      | M12       | 4,50        | 420                                 | 49285 | 53456 |  |
|                       |                       |     |     |                |                |      |      |           |           |             |                                     |       |       |  |
|                       | BHPL-KHB-DN13-SAE420  | 13  | 120 | 48             | 56             | 156  | 18,2 | 40,5      | 5/16" UNC | 1,50        | 420                                 | 37795 | 37796 |  |
|                       | BHPL-KHB-DN20-SAE420  | 19  | 136 | 60             | 71             | 71   | 23,8 | 50,8      | 3/8" UNC  | 2,75        | 420                                 | 37797 | 37798 |  |
|                       | BHPL-KHB-DN25-SAE420  | 25  | 148 | 70             | 81             | 81   | 27,8 | 57,2      | 7/16" UNC | 3,80        | 350                                 | 37799 | 37800 |  |
| BHPL-KHBP-DN25-SAE420 | 25                    | 156 | 70  | 81             | 81             | 27,8 | 57,2 | 7/16" UNC | 4,50      | 420         | 53457                               | 53458 |       |  |