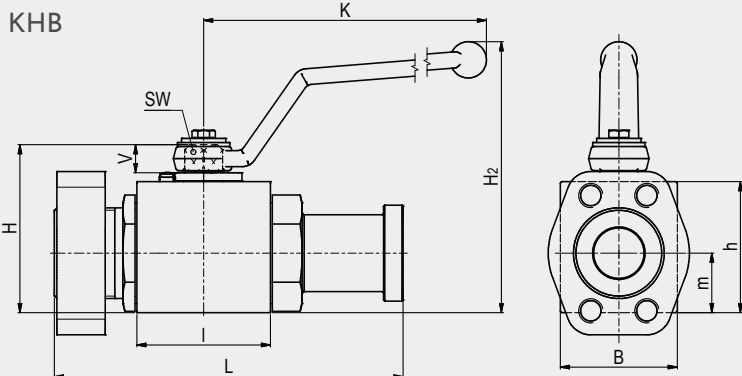
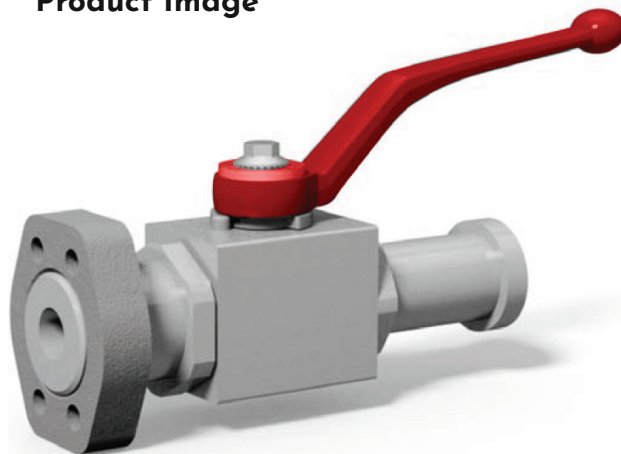


BALL VALVE WITH SAE ADAPTER / SPLIT FLANGE ADAPTER KHB / KHBP- SAE/SAEFS

Dimensions



Product Image



CONNECTIONS

ISO 6162-1, ISO 6162-2

AVAILABLE SIZES (Other sizes available on request)

DN13 - DN25 (1/2" to 1")

MATERIAL CODE DESCRIPTION

Materials	112A	1128
Body	Steel	Steel
Ball	Stainless Steel	Stainless Steel
Stem	Steel	Steel
Ball Seats	POM	POM
O-rings	NBR	FPM
Tmin / Tmax	-20°C / 100°C	-20°C / 100°C

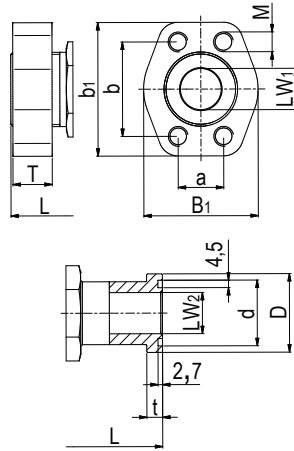
GENERAL DIMENSIONS

Type	I	B	H	h	m	V	SW	K	H ₂	Lever
BHPL-KHB-DN13	48	35	54	40	19	11	9	119.5	70	Zn
BHPL-KHB-DN20	62	49	75	57	24,5	14	14	175	92.5	Zn
BHPL-KHB-DN25	66	58	83	65	29,5	14	14	175	100	Zn
BHPL-KHBP-DN25	74	70	88	70	34,5	14	14	175	119	Zn

BALL VALVE WITH SAE ADAPTER / SPLIT FLANGE ADAPTER KHB / KHBP- SAE/SAEFS

CONNECTION TYPE

ISO 6162-1



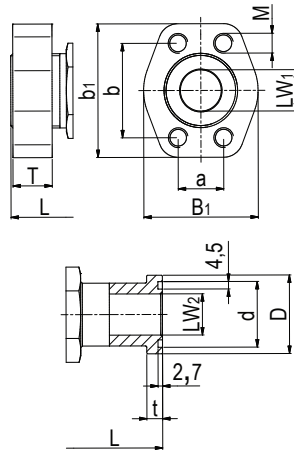
DIMENSIONS

ORDER CODE PER MATERIAL COMBINATION

Type	LW ₁	LW ₂	L	B ₁	b ₁	T	a	b	M ⁽¹⁾	d	D	t	Weight [Kg]	PN [bar]	112A	1128
BHPL-KHB-DN13-SAEFS210	13	13	136	48	56	13	17,5	38,1	M8	25,5	30,2	6,8	1,18	350	53942	on request
BHPL-KHB-DN20-SAEFS210	20	19	149	50	65	14	22,2	47,6	M10	31,9	38,1	6,8	2,15	350	57332	on request
BHPL-KHB-DN25-SAEFS210	25	25	163	60	70	16	26,2	52,4	M10	39,8	44,4	8,1	3,60	320	35339	on request

CONNECTION TYPE

ISO 6162-2



DIMENSIONS

ORDER CODE PER MATERIAL COMBINATION

Type	LW ₁	LW ₂	L	B ₁	b ₁	T	a	b	M ⁽¹⁾	d	D	t	Weight [Kg]	PN [bar]	112A	1128
BHPL-KHB-DN13-SAE420/SAEFS420	13	13	136	48	56	16	18,2	40,5	M8	25,5	31,8	7,9	1,20	420	50016	on request
BHPL-KHB-DN20-SAE420/SAEFS420	20	19	155	60	72	19	23,8	50,8	M10	31,9	41,3	8,9	2,26	420	47869	on request
BHPL-KHB-DN25-SAE420/SAEFS420	25	25	173	70	81	24	27,8	57,2	M12	39,8	47,6	9,6	3,75	320	47968	on request
BHPL-KHBP-DN25-SAE420/SAEFS420	25	25	181	70	81	24	27,8	57,2	M12	39,8	47,6	9,6	-	420	on request	on request