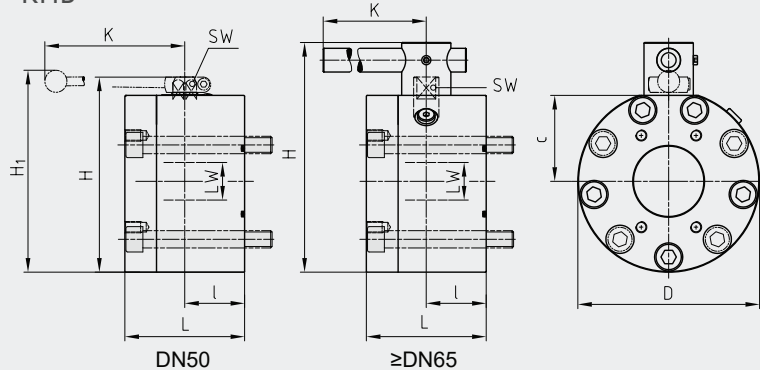


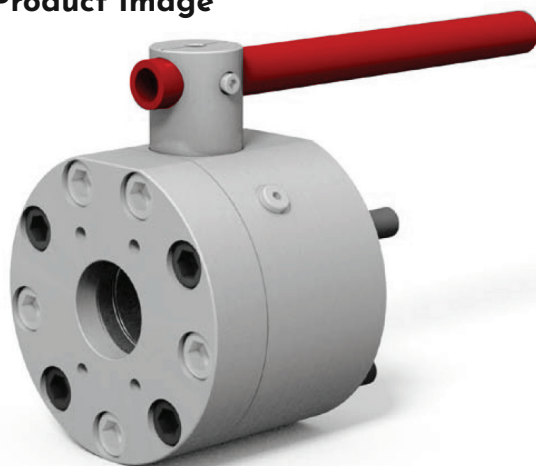
## FLANGE BALL VALVE WITH SAE CONNECTION METRIC / UNC STEEL

### Dimensions

KHB



### Product Image



### CONNECTIONS

ISO6162-1 (single flange pattern),  
other connection types and sizes on request

### AVAILABLE SIZES (Other sizes available on request)

DN50 - DN125 (2" to 5")

### MATERIAL CODE DESCRIPTION

Materials	DN50 212A	DN50 2128	DN65-125 282A	DN65-125 2828
Body	Steel	Steel	Steel	Steel
Ball	Stainless Steel	Stainless Steel	Stainless Steel	Stainless Steel
Stem	Steel	Steel	Duplex	Duplex
Ball Seats	POM	POM	POM	POM
O-rings	NBR	FPM	NBR	FPM
Tmin / Tmax	-20°C / 100°C	-20°C / 100°C	-20°C / 100°C	-20°C / 100°C

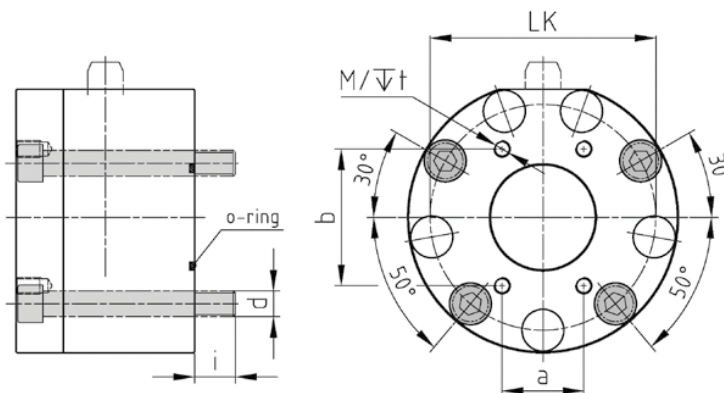
### GENERAL DIMENSIONS

Type	LW	L	I	D	H	c	K	SW	H <sub>1</sub>	Lever
BHPL-KH-DN50	48	116	58	198	210	94	320	17	219	St
BHPL-KH-DN65	63	150	75	198	259	94	600	16	-	St
BHPL-KH-DN80 (PN100)	76	140	70	210	277	100	600	19	-	St
BHPL-KH-DN80 (PN160)	76	150	79	218	284	103,5	600	19	-	St
BHPL-KH-DN100	100	170	85	258	326	122	900	24	-	St
BHPL-KH-DN125	118	210	105	295	377	140	900	36	-	St

## FLANGE BALL VALVE WITH SAE CONNECTION METRIC / UNC STEEL

### CONNECTION TYPE

ISO 6162-1



### DIMENSIONS

### ORDER CODE PER MATERIAL COMBINATION

Type	a	b	M	t	LK	d	i	Dimension of screws (min)(1)	O-ring(2)	Weight [Kg]	PN [bar]	212A (282A)	2128 (2828)
BHPL-KH-DN50-SAE210	see KHZ series valve												
BHPL-KH-DN65-SAE210	50,8	88,9	M12	19	163	M20	32	4x M20x160	69,44x3,53	29,70	175	40180	40188
BHPL-KH-DN80-SAE210	61,9	106,4	M16	24	175	M20	32	4x M20x150	85,32x3,53	34,00	100	40181	40189
BHPL-KH-DN80-SAE210	61,9	106,4	M16	24	182	M20	32	4x M20x160	85,32x3,53		160	59903	59904
BHPL-KH-DN100-SAE210	77,8	130,2	M16	24	215	M24	26	4x M24x170	110,72x3,53	59,50	35	40182	40190
BHPL-KH-DN125-SAE210	92,1	152,4	M16	30	248	M27	35	4x M27x215	136,12x3,53	96,50	35	40183	40191
BHPL-KH-DN50-SAE210	see KHZ series valve												
BHPL-KH-DN65-SAE210	50,8	88,9	1/2"UNC	19	163	3/4"UNC	31	4x 3/4"UNCx6 1/4"	69,44x3,53	27,90	175	40184	40192
BHPL-KH-DN80-SAE210	61,9	106,4	5/8"UNC	24	175	3/4"UNC	28	4x 3/4"UNCx5 3/4"	85,32x3,53	32,30	100	40185	40193
BHPL-KH-DN80-SAE210	61,9	106,4	5/8"UNC	24	182	3/4"UNC	31	4x 3/4"UNCx6 1/4"	85,32x3,53		160	59905	59906
BHPL-KH-DN100-SAE210	77,8	130,2	5/8"UNC	24	215	1"UNC	27,5	4x 1"UNCx6 3/4"	110,72x3,53	56,60	35	40186	40194
BHPL-KH-DN125-SAE210	92,1	152,4	5/8"UNC	30	248	1 1/8"UNC	35	4x 1 1/8"UNCx8 1/2"	136,12x3,53	91,40	35	40187	39344