

PILOT OPERATED RELIEF VALVE

BH-BT-06-32-80 SERIES

ALL RIGHTS RESERVED, SUBJECT TO REVISION

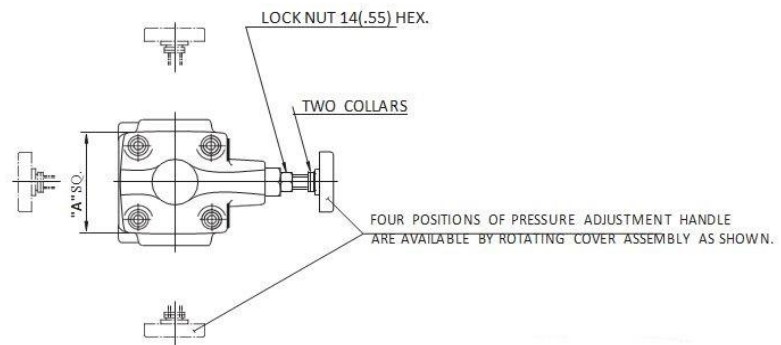


Product Image

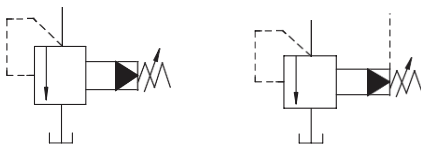
These valves protect the hydraulic system from excessive pressure, and can be used to maintain constant pressure in a hydraulic system. Remote control and unloading are permitted by using vent circuits.

Technical Specification

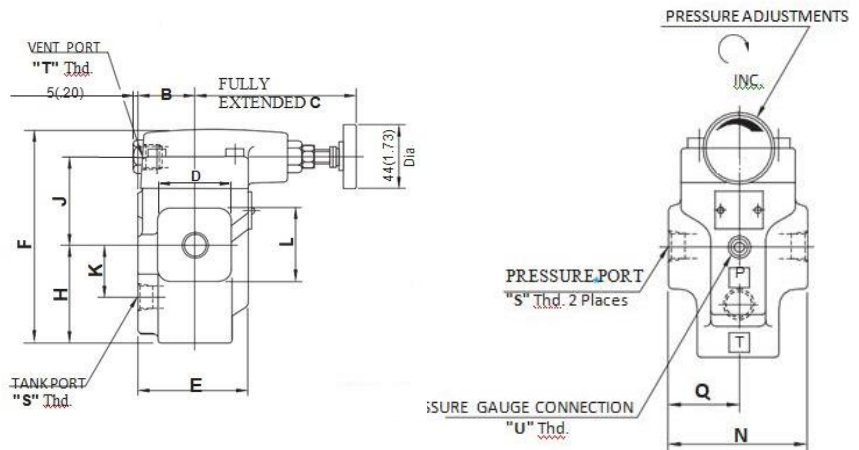
Model Numbers		Max. Operating Pressure MPa (PSI)	Pres. Adj. Range MPa (PSI)	Max. Flow L/min (U.S.GPM)	Approx. Mass kg (lbs.)	
Threaded Connection	Sub-plate Mounting				BT type	BG type
BT-03-*-32*	BG-03-*-32*	25 (3630)	Note) -25 (-3630)	100 (26.4)	5.0 (11.0)	4.7 (10.4)
BT-06-*-32*	BG-06-*-32*			200 (52.8)	5.0 (11.0)	5.6 (12.3)
BT-10-*-32*	BG-10-*-32*			400 (106)	8.5 (18.7)	8.7 (19.2)



SYMBOL



VENTING



There are two threaded connection pressure ports. they can be connected each other in-line; one as inlet and the other as an outlet or the valve can be used by plugging one of the pressure ports.

Model Numbers	Dimensions mm (Inches)											
	A	B	C	D	E	F	H	J	K	L	N	Q
BT-03-*-32/3280/3290	75	40	105	52	78	150.5	68.5	62	36	52	90	45
BT-06-*-32/3280/3290	(2.95)	(1.57)	(4.13)	(2.05)	(3.07)	(5.93)	(2.70)	(2.44)	(1.42)	(2.05)	(3.54)	(1.77)
BT-10-*-32/3280/3290	85	50	101	80	96	183	89	74	49	80	120	60
	(3.35)	(1.97)	(3.98)	(3.15)	(3.78)	(7.20)	(3.50)	(2.91)	(1.93)	(3.15)	(4.72)	(2.36)

Model Numbers	Thread Size	Mounting Surface
	"X" Thd	
BG-03-*-32	Rc 1/4 = 1/4 BSP.Tr	ISO 6264-AR-06-2-A
BG-03-*-3290	1/4 NPT	
BG-06-*-32	Rc 1/4 = 1/4 BSP.Tr	ISO 6264-AS-08-2-A
BG-06-*-3290	1/4 NPT	
BG-10-*-32	Rc 1/4 = 1/4 BSP.Tr	ISO 6264-AT-10-2-A
BG-10-*-3290	1/4 NPT	